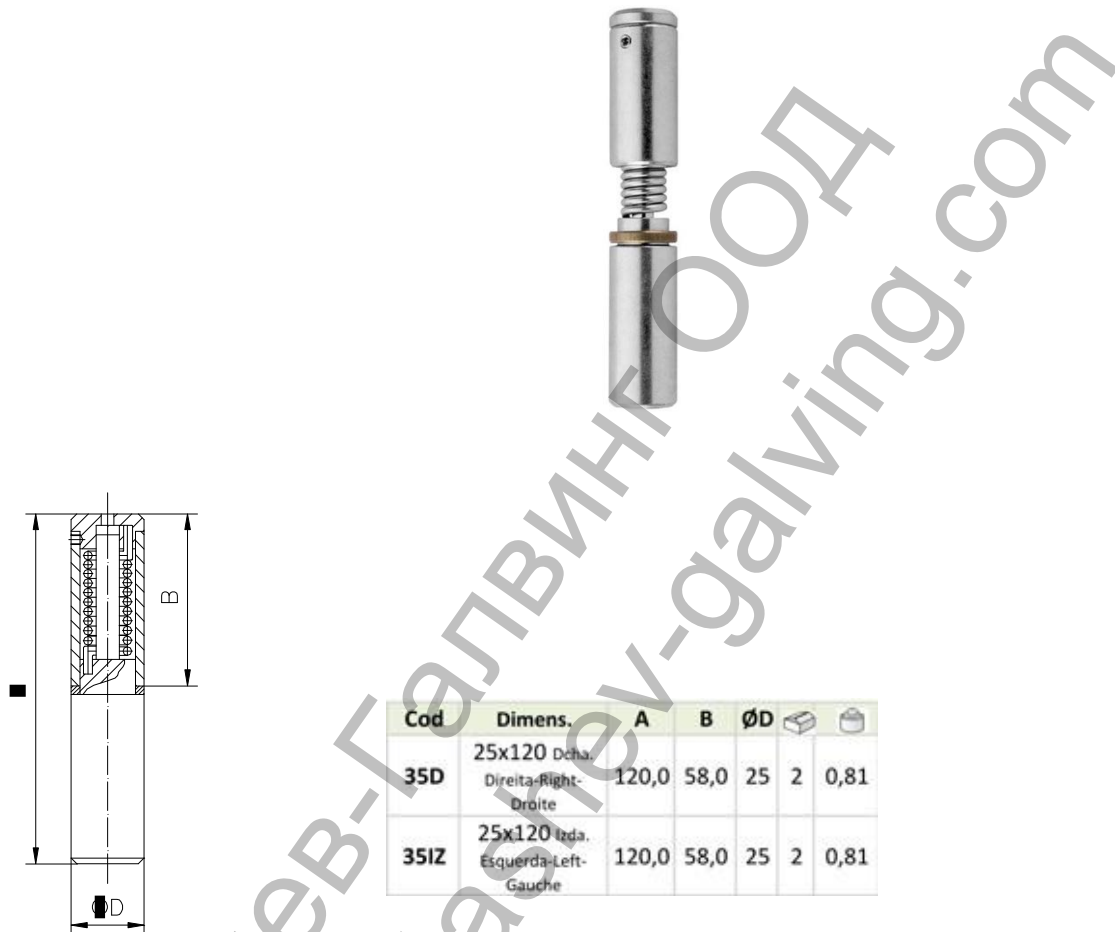


Панта Estebro® за заваряване кръгла с пружина, лява 25x125 мм, 35IZ



Cod	Dimens.	A	B	ØD		
35D	25x120 Dcha. Direita-Right- Droite	120,0	58,0	25	2	0,81
35IZ	25x120 Izda. Esquerda-Left- Gauche	120,0	58,0	25	2	0,81

Family: Spring hinge

Material: 11SMn30 steel

Description: Mechanized component which is installed on a metallic swing door to allow its opening and closing. It has a spring around the axle which allows a return movement. It also has a screw which enables the regulation of the closing strength. The brass washer installed between both bodies softens the maneuver turn avoiding the friction between them. For the installation, the lower part is welded to the frame that is why it is necessary to design it with different hands (right/left) depending on the turn direction of the door.

Продукт: [Панта Estebro® за заваряване кръгла с пружина, лява 25x125 мм, 35IZ](#)

Категория: [Панти за заваряване](#)

Бранд: [Estebro®](#)

Категория бранд: [Панта Estebro®](#)